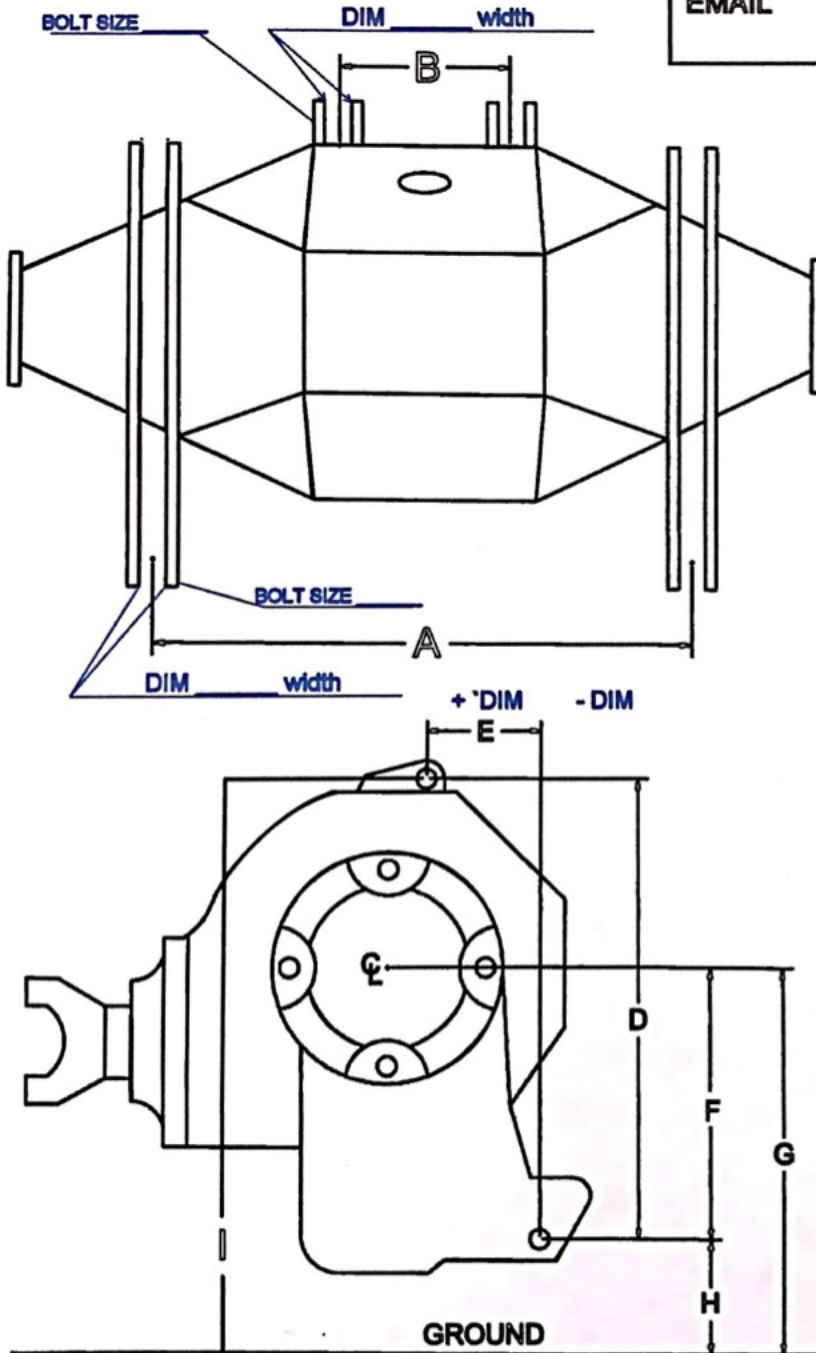




Performance Products You Can Lean On!!

PO Box 862
Clinton, N.C.
28329

Mobile 910.305.2207
mVmbars@gmail.com



LENGTH OF WHEELIE BAR
C OF AXLE TO C OF WHEEL
IN _____

NAME
SHIP ADDRESS
CITY, STATE, ZIP
PHONE
EMAIL

BRAND OF REAR END	
<input type="checkbox"/>	SHEET METAL FABRICATED
<input type="checkbox"/>	BILLET ALUMINUM
<input type="checkbox"/>	MODULAR ALUMINUM

DIMENSIONS	
A	
B	
C	
D	
E	+ OR -
F	
G	
H	
I	
PINION ANGLE 1	

All bars are built with a 1.5 degree pinion angle considered. If you use a different pinion angle please specify that on this form

DISCLAIMER

Please be certain that the dimensions that you are providing on this form are accurate, as we take no responsibility for your dimensions and you may incur extra charges to correct the product. Do not hesitate to send an email if you need some assistance or helpful suggestions. Thank you for your cooperation.

Signature _____